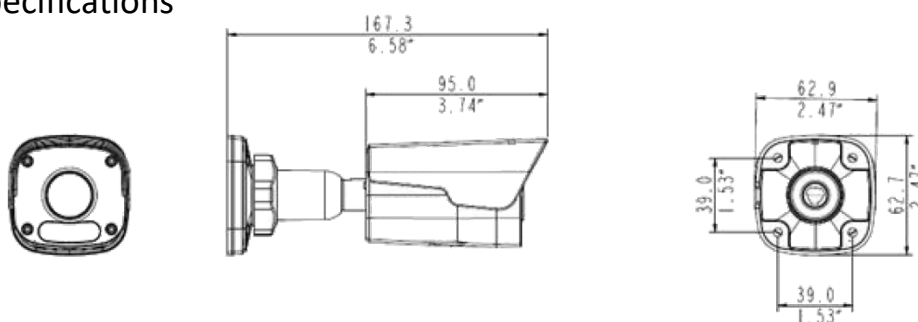


## Key Features

- ❖ IP67 rating
- ❖ 2D/3D DNR
- ❖ Smart IR, up to 30m
- ❖ ONVIF Conformance
- ❖ Day/night functionality
- ❖ Ultra 265, H.265, H.264, MPEG compression



## Technical Specifications



Model	SCP-OBL02FFIR-FP22B-U
Product Name	2.0 Megapixel, IR Fixed Lens Mini Bullet Network Camera
<b>Camera</b>	
Image Sensor	1/2.7", 2.0 MP progressive scan CMOS
Lens	4.0 mm @F2.0
Angle of View	H: 86.5°, V:44.1°, O: 106.4°
Electronic Shutter	Auto/Manual, 1~1/100000s
Mini. Illumination	0.02Lux/F2.0( Color,AGC on) 0Lux (IR on)
Adjustment Angle	Pan: 0° ~ 360° Tilt: 0° ~ 90° Rotate: 0° ~ 360°
IR Distance	Up to 30m
S/N	>52dB
<b>Video</b>	
Video Compression	Ultra 265, H.265, H.264, MJPEG
Frame Rate	First Stream: 1080P (1920*1080), Max 30fps; Second Stream: 720P (1280*720), Max 30fps; Third Stream: CIF (352*288), Max 30fps
OSD	Up to 4 OSDs

Securicorp Technologies UK Ltd. All Rights Reserved. This document is for planning purposes only and is not intended to modify or supplement any specifications or warranties related to the product. Securicorp Technologies UK Ltd. may make changes to specifications or descriptions without notice.

Privacy Mask	Up to 8 areas
ROI	Up to 2 areas
Motion Detection	Up to 4 areas
Smart	
Behavior Detection	Intrusion, Motion detection, Tampering alarm
Network	
Protocol	IPv4, IGMP, ICMP, ARP, TCP, UDP, DHCP, RTP, RTSP, RTCP, DNS, DDNS, NTP, FTP, UPnP, HTTP, HTTPS, SMTP, SSL, QoS
ONVIF	Supported (Profile S, Profile T), API
Interface	10/100M Base-TX Ethernet
General	
Power Consumption	<4.5W
Power Supply	DC 12V±25%, PoE (IEEE 802.3af)
Weather proof rating	IP67
Working Environment	-30°C ~ 60°C (-22°F ~ 140°F)
Dimensions	167.3 × 62.9 × 62.7mm
Weight	0.45 kg

Securicorp Technologies UK Ltd. All Rights Reserved. This document is for planning purposes only and is not intended to modify or supplement any specifications or warranties related to the product. Securicorp Technologies UK Ltd. may make changes to specifications or descriptions without notice.