

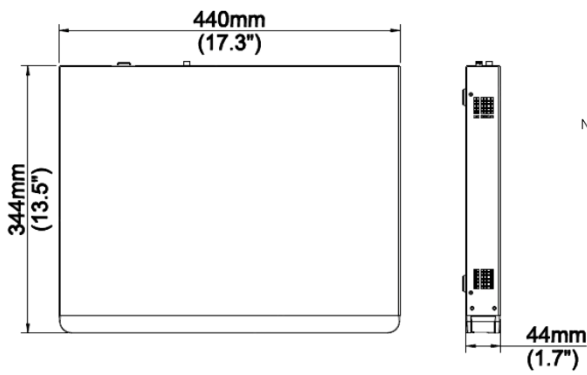
# 32 Channel Input Network Video Recorder

## Key Features:

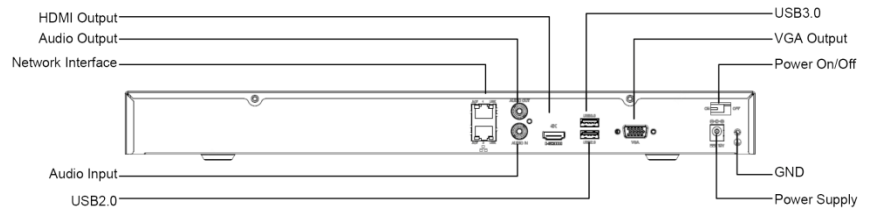
- ❖ Supports up to 32 channel
- ❖ Instant playback, accurate retrieval
- ❖ HDMI and VGA simultaneous output
- ❖ Supports up to 8MP Resolution Recording
- ❖ Ultra265/H.265/ H.264 video formats supported
- ❖ 4 SATA HDD Support, up to 10TB capacity for each HDD



## Dimensions:



## Rear Panel:



## Technical Specifications

Model	SCI-4032-DNP432-4S
Product Name	32 Channel Input Network Video Recorder
Video/Audio Output	
HDMI/VGA Output	HDMI1: 4K (3840x2160)@30, 1920x1080p@60, 1920x1080p@50, 1600x1200@60, 1280x1024@60, 1280x720@60, 1024x768@60 VGA: 1920x1080p@60, 1920x1080p@50, 1280x1024@60, 1280x720@60, 1024x768@60
Audio Output	1-ch, RCA
Recording Resolution	8MP/5MP/4MP/3MP/1080p/960p/720p/960H/D1/2CIF/CIF
Synchronous Playback	32ch
Corridor Mode Screen	3/4/5/7/9/10/12/16/32
Video/Audio Input	
IP Video Input	32-ch
Two-way Audio Input	1-ch, RCA

# 32 Channel Input Network Video Recorder

SCI-4032-DNP432-4S

<b>Network</b>	
Incoming bandwidth	160Mbps
Outgoing bandwidth	64Mbps
Remote Users	128
Protocols	P2P, UPnP, NTP, DHCP, PPPoE
<b>Decoding</b>	
Decoding format	Ultra265/H.265/H.264
Live view/ Playback	8MP/5MP/4MP/3MP/1080p/960p/960H/720p/D1/2CIF/CIF
Capability	2 x 4K@30, 3 x 5MP@30, 4 x 4MP@30, 5 x 3MP@30, 8 x 1080p@30, 16 x 720p@30, 32 x D1
<b>Hard Disk</b>	
SATA	4 SATA interfaces
Capacity	up to 10TB for each disk
<b>Smart</b>	
VCA Detection	Face detection, Intrusion detection, Cross line detection, Audio detection, Defocus detection, Scene change detection, Auto tracking
VCA Search	Face search, Behavior search
Statistical Analysis	People counting
<b>External Interface</b>	
Network Interface	2 RJ-45 10M/100M/1000M
USB Interface	Front panel:1 x USB2.0
	Rear panel:1 x USB2.0, 1 x USB3.0
<b>General</b>	
Power Supply	12V DC
Power Consumption	≤ 15W( without HDD )
Working Environment	-10°C ~ + 55°C ( +14°F ~ +131°F ), Humidity ≤ 90% RH
Dimensions(W×D×H)	440mm × 344mm ×44mm
Weight ( without HDD )	≤ 3.15 kg