

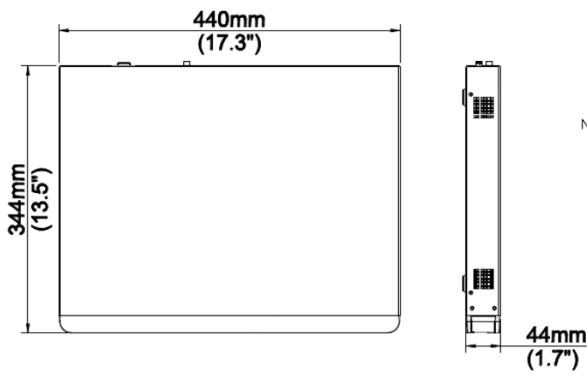
16 Channel Input Network Video Recorder

Key Features:

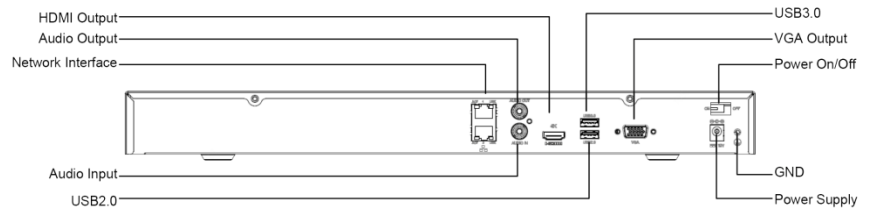
- ❖ Supports up to 16 channel
- ❖ Instant playback, accurate retrieval
- ❖ HDMI and VGA simultaneous output
- ❖ Supports up to 8MP Resolution Recording
- ❖ Ultra265/H.265/ H.264 video formats supported
- ❖ 4 SATA HDD Support, up to 10TB capacity for each HDD



Dimensions:



Rear Panel:



Technical Specifications

Model	SCI-4016-DNP416-4S
Product Name	16 Channel Input Network Video Recorder
Video/Audio Output	
HDMI/VGA Output	HDMI1: 4K (3840x2160)@30, 1920x1080p@60, 1920x1080p@50, 1600x1200@60, 1280x1024@60, 1280x720@60, 1024x768@60 VGA: 1920x1080p@60, 1920x1080p@50, 1280x1024@60, 1280x720@60, 1024x768@60
Audio Output	1-ch, RCA
Recording Resolution	8MP/5MP/4MP/3MP/1080p/960p/720p/960H/D1/2CIF/CIF
Synchronous Playback	16ch
Corridor Mode Screen	3/4/5/7/9/10/12/16
Video/Audio Input	
IP Video Input	16-ch
Two-way Audio Input	1-ch, RCA

16 Channel Input Network Video Recorder

SCI-4016-DNP416-4S

Network	
Incoming bandwidth	96Mbps
Outgoing bandwidth	64Mbps
Remote Users	128
Protocols	P2P, UPnP, NTP, DHCP, PPPoE
Decoding	
Decoding format	Ultra265/H.265/H.264
Live view/ Playback	8MP/5MP/4MP/3MP/1080p/960p/960H/720p/D1/2CIF/CIF
Capability	2 x 4K@30, 3 x 5MP@30, 4 x 4MP@30, 5 x 3MP@30, 8 x 1080p@30, 16 x 720p@30, 32 x D1
Hard Disk	
SATA	4 SATA interfaces
Capacity	up to 10TB for each disk
Smart	
VCA Detection	Face detection, Intrusion detection, Cross line detection, Audio detection, Defocus detection, Scene change detection, Auto tracking
VCA Search	Face search, Behavior search
Statistical Analysis	People counting
External Interface	
Network Interface	2 RJ-45 10M/100M/1000M
USB Interface	Front panel:1 x USB2.0
	Rear panel:1 x USB2.0, 1 x USB3.0
General	
Power Supply	12V DC
Power Consumption	≤ 15W(without HDD)
Working Environment	-10°C ~ + 55°C (+14°F ~ +131°F), Humidity ≤ 90% RH
Dimensions(W×D×H)	440mm × 344mm ×44mm
Weight (without HDD)	≤ 3.15 kg