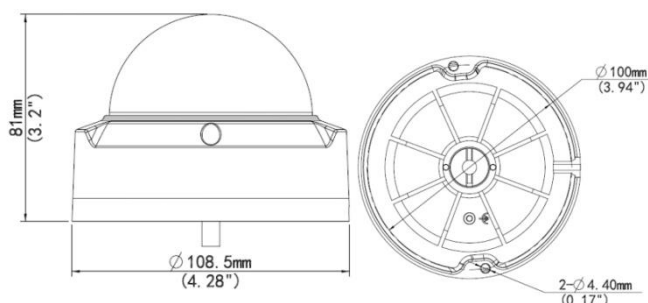


## Key Features

- ❖ Smart IR, up to 30 m
- ❖ Ultra 265, H.265, H.264, MJPEG
- ❖ 2D/3D Digital Noise Reduction
- ❖ Up to 120 dB Optical Wide Dynamic Range
- ❖ Triple streams supported
- ❖ IP67 rating
- ❖ IK10 vandal resistant

## Technical Specifications



Model	SCP-VDM02FFIR-WD82FP-U
Product Name	2.0 Megapixel WDR, IR Fixed Lens Dome Camera
Camera	
Image Sensor	1/2.7" 2MP progressive scan CMOS
Lens	2.8 mm @F1.6   4.0 mm @F1.6 (optional)
Angle of View	H: 112.7°, V: 60.1°, O:146.5° (2.8 mm @F1.6 ) H: 86.5°, V: 44.1°, O:106.4°(4.0mm@F1.6)
Electronic Shutter	Auto/Manual
Mini. Illumination	0.005 Lux@F1.6 (Color) , 0Lux IR On
WDR	120dB
Digital noise reduction	2D/3D
S/N	>52dB
Video	
Video Compression	Ultra 265/H.265/H.264/MJPEG
Frame Rate	First Stream: 2MP (1920×1080): Max. 30fps;
	Second Stream: 2MP (1920×1080): Max. 30 fps;
	Third Stream: D1 (720×576): Max. 30fps;

Securicorp Technologies UK Ltd. All Rights Reserved. This document is for planning purposes only and is not intended to modify or supplement any specifications or warranties related to the product. Securicorp Technologies UK Ltd. may make changes to specifications or descriptions without notice.

IR Led	
IR Distance	Up to 30m
Network	
Network Protocol	IPv4, IGMP, ICMP, ARP, TCP, UDP, DHCP, PPPoE, RTP, RTSP, RTCP, DNS, DDNS, NTP, FTP, UPnP, HTTP, HTTPS, SMTP, 802.1x, SNMP
ONVIF	Supported (Profile S, Profile G)
Audio	
Compression	G.711
Sampling Rate	8 KHZ
Interface	
Video Out	1 BNC, impedance : 75 $\Omega$
Audio	Input: impedance 35 k $\Omega$ , Output: impedance 600 $\Omega$
Alarm I/O	1/1
RJ45	1 10M/100M Base-TX Ethernet
Micro SD	Up to 128 GB
Environmental	
Power Consumption	<5.5W
Power Supply	12 V DC $\pm$ 25%, PoE (IEEE802.3 af)
Vandal Resistant	IK10
Weather proof rating	IP67
Working Environment	-35 $^{\circ}$ C ~ +60 $^{\circ}$ C (-31 $^{\circ}$ F ~ 140 $^{\circ}$ F)
Dimensions	$\varnothing$ 108.5 x 81 mm
Weight	0.45 kg

Securicorp Technologies UK Ltd. All Rights Reserved. This document is for planning purposes only and is not intended to modify or supplement any specifications or warranties related to the product. Securicorp Technologies UK Ltd. may make changes to specifications or descriptions without notice.