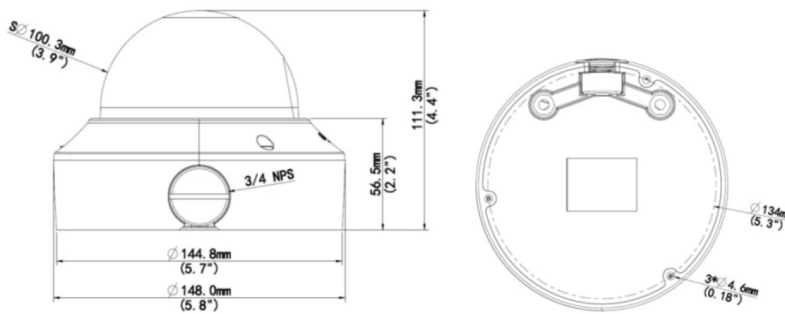


Key Features:

- ❖ Starlight illumination
- ❖ Triple streams supported
- ❖ Intelligent technology features
- ❖ Up to 120dB Optical Wide Dynamic Range
- ❖ IP67 rating
- ❖ 2D/3D Digital Noise Reduction
- ❖ IK10 vandal resistant
- ❖ Smart IR up to 30m
- ❖ Ultra 265, H.265, H.264, MJPEG



Dimensions:



Technical Specifications

Model	SCL-VDM05MVIR-WD52BE
Product Name	5.0 Megapixel Motorized, IR Network Dome Camera
Camera	
Image Sensor	1/2.7" 5Megapixel progressive scan CMOS
Lens	2.7 ~ 13.5mm
Electronic Shutter	Auto/Manual, 1~1/100000 s
Mini. Illumination	0.002Lux/F1.2, AGC on (Color), 0Lux (IR on)
Signal Noise Ratio	> 52dB
IR Distance	Up to 30m
Digital Noise Reduction	2D/3D
WDR	120dB
Angle of View	H: 93.38°~28.56°, V: 88°~16.4°, O: 121.4°~33.7°
Audio	
Audio Compression	G.711
Two-way audio	Supported



Video	
Video Compression	Ultra 265,H.265, H.264, MJPEG
Video Streaming	Triple
Frame Rate	First Frame: 5MP(2592 x 1944): Max. 20 fps, 5MP(2592 x 1944): Max. 25 fps(WDR OFF), 4MP(2560 x 1440): Max. 30 fps, 3MP(2048x 1536): Max. 30 fps, 2MP(1920 x 1080): Max. 30fps;
	Second Frame: 2MP (1920x1080): Max 30 fps;
	Third Frame: D1 (720x576): Max 30 fps;
Motion Detection	Up to 4areas
ROI	Up to 8 areas
OSD	Up to 8 OSDs
Privacy Mask	Up to 8 areas
Smart	
Behavior Detection	Intrusion, crossing line, motion detection
Recognition	Face Detection , Audio detection
Intelligent Identification	Defocus, Scene change
Statistical Analysis	People counting
Network	
Network Protocol	IPv4, IGMP, ICMP, ARP, TCP, UDP, DHCP, PPPoE, RTP, RTSP, RTCP, DNS, DDNS, NTP, FTP, UPnP, HTTP, HTTPS, SMTP, 802.1x, SNMP
ONVIF	Supported (Profile S, Profile G)
Micro SD	Up to 128GB
Interface	
Audio I/O	Input: impedance 35kΩ;
	Output: impedance 600Ω ;
RJ45	1 10M/100M Base-TX Ethernet
Alarm I/O	1/1
Video Output	1BNC, impedance 75Ω;
Environmental	
Power Supply	12 V DC±25%, PoE (IEEE802.3 af)
Working Environment	-40° C ~ + 60° C (-40° F ~ 140° F) , ≤ 95% RH
Ingress Protection	IP67
Vandal Resistance	IK10
Dimensions	Ø148 x 111.3 mm
Weight	750g