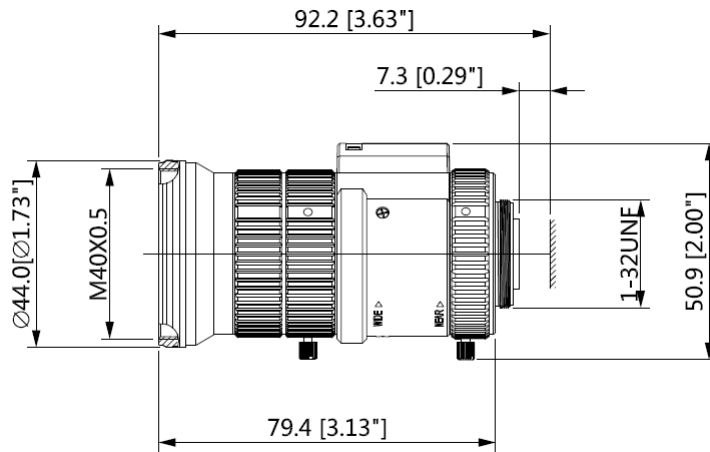


## 6.0 Megapixel Lens

Dimensions:



Technical Specifications:

Model	SC-BL0550D6-09
Product Name	6.0 Megapixel Lens
E.F.L	5~50mm
F No.	F1.6
Field Angle	W: 65.7°x49.6°x36.9° T: 5.2°x7°x5.2°
Image Format	1/2.7"
Iris Type	DC-Iris
Control Type	Zoom Manual, Focus Manual
Mount Type	C S
M.O.D	0.5m(1.64ft)
Operating temperature	-30°C~+70°C(-22°F~158°F)
Weight	0.2kg(0.44lbs)

Securicorp Technologies UK Ltd., All Rights Reserved. This document is for planning purposes only and is not intended to modify or supplement any specifications or warranties relating to product. Securicorp Technologies UK Ltd. may make changes and description without notice.

