

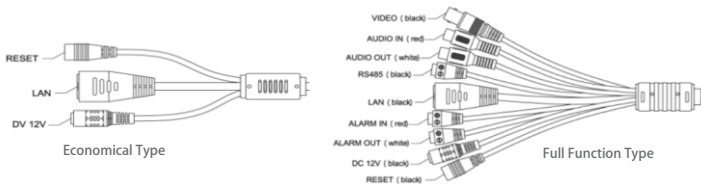


Key Features

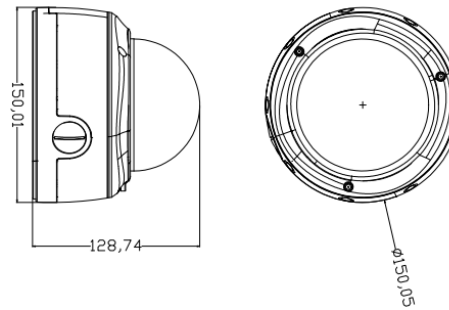
- ❖ 1/2.8" 2.0 Megapixel Progressive Scan Sony Exmor Sensor
- ❖ H.264 & MJPEG dual-stream encoding
- ❖ Max 1~25/30fps @ 1080P/720P
- ❖ Dual encoding streams supported
- ❖ 2.8~12mm /F1.4 Manual lens
- ❖ Built-in 1/1 alarm in/out
- ❖ Max IR Distance :30m
- ❖ True Day/Night ICR
- ❖ Micro SD memory, IK10, PoE
- ❖ Built-in Web server, NVR, CMS



Interface Description



Dimensions (mm)



Technical Specification

| | |
|--------------------|---|
| Model | SCM-VDM020VFIR-SX85P |
| Product Name | 2.0 Megapixel, Varifocal, Water-Proof, Vandal-Proof, IR Network Dome Camera |
| General | |
| Operating System | Embedded LINUX |
| Resource | Simultaneous remote monitoring, local recording and remote control |
| User Interface | WEB, CMS, NVR |
| Camera | |
| Image Sensor | 1/2.8" 2.0 Megapixel Progressive Scan Sony Exmor Sensor |
| Effective Pixels | 1920(H) × 1080(V) |
| Electronic Shutter | 1/5s to 1/50,000s |
| Mini. Illumination | Color:0.2Lux/F1.2 ; B/W:0.01Lux/F1.2 ; 0Lux/F1.2(IR on) |
| Signal Noise Ratio | >50dB |
| Day/Night Mode | Auto, dual IR-Cut filter |
| Gain Control | Auto/Manual |
| White Balance | Auto/Manual |
| WDR Dynamic Range | DWDR |
| Lens | 2.8mm~12mm/F1.4Manual lens |
| Max IR Distance | 30m |

Securicorp Systems UK Ltd, All Rights Reserved. This document is for planning purposes only and is not intended to modify or supplement any specifications or warranties relating to product. Securicorp Systems UK Ltd may make changes to specifications and descriptions with out notice.



| | |
|----------------------------|--|
| Video | |
| Video Compression | H.264 / MJPEG Optional |
| H.264 Encode Type | H.264 Baseline / H.264 Main Profile / H.264 High Profile Optional |
| Video Bit Rate | Main Stream : 200Kbps~12Mbps Sub Stream : 100Kbps~6Mbps |
| Image Resolution | 1080P(1920×1080) / 720P(1280×720) / D1(704×576/704×480) |
| Video Format | PAL/NTSC |
| Audio | |
| Audio Compression | G.711a/G.711u/RAW_PCM Optional |
| Audio Bit Rate | G.711a(8kbps)/G.711u(8kbps)/RAW_PCM(16kbps) |
| Audio Input | 1-Channel 3.5mm audio interface MIC IN/Line IN |
| Audio Output | 1-Channel 3.5mm audio interface (line level,600Ω) |
| Network | |
| Ethernet | RJ-45 (10/100Base-T) |
| Network Protocol | IPv4/IPv6、RTSP/RTP/RTCP、TCP/UDP、HTTP、DHCP、DNS、FTP、DDNS、PPPoE、SMTP |
| Security | User Access Log, Password Protection, HTTPS Encryption, RTSP Authentication, IEEE 802.1x |
| ONVIF | ONVIF Ver.2.4 |
| Remote Operation | Monitor, Playback, System setting, File download, Log information, Maintenance & Upgrade |
| Auxiliary Interface | |
| Reset Input | One Reset Button (Be effective after continues to hold down for 3 seconds) |
| Memory Slot | TF Card, Max 64GB |
| RS485 | PTZ Control |
| Alarm Input | 1-Channel input, Normally Open / Normally Close modes adjustable |
| Alarm Output | 1-Channel output, 120VAC 1A/24VDC 1A |
| Video Output | 1Vp-p Composite Output (75Ω/BNC) |
| Environmental | |
| Power Supply | DC12V |
| Power Consumption | <10W |
| Operating Environment | -40°C ~ +60°C, Humidity less than 95% (Non-condensing) |
| Max IR Distance | 30m |
| IP Grade | IP66 |
| PoE | IEEE802.3af |

Securicorp Systems UK Ltd, All Rights Reserved. This document is for planning purposes only and is not intended to modify or supplement any specifications or warranties relating to product. Securicorp Systems UK Ltd may make changes to specifications and descriptions with out notice.