

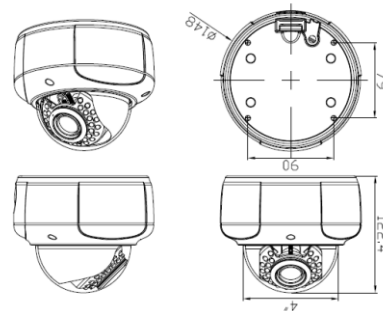
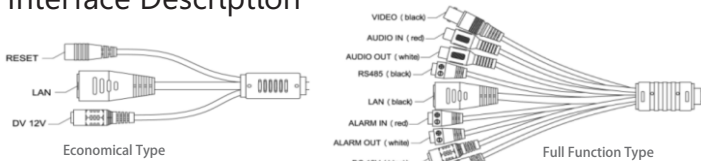


Key Features

- ❖ 1/2.8" 2.0 Megapixel Progressive Scan Sony Exmor Sensor
- ❖ H.264 & MJPEG dual-stream encoding
- ❖ Max 25/30fps 1080P (1920×1080)
- ❖ Dual encoding streams supported
- ❖ 2.8~12mm /F1.4 Manual lens
- ❖ Built-in 1/1 alarm in/out
- ❖ 30pcs 5 IR lights ,Max IR Distance :30m
- ❖ True Day/Night ICR
- ❖ Micro SD Card, 1k10
- ❖ Support DC12V power supply, PoE
- ❖ Built-in Web server
- ❖ IP66 all-environments protection



Interface Description



Dimensions

Technical Specification

Model	SCM-VDM020VFIR-SX25P
Product Name	2.0 Megapixel, Varifocal, Water-Proof, Vandal-Proof, IR Network Dome Camera
General	
Operating System	Embedded LINUX
Capacity	Simultaneous remote monitoring, local recording and remote control
User Interface	WEB
Camera	
Image Sensor	1/2.8" 2.0 Megapixel Progressive Scan Sony Exmor Sensor
Effective Pixels	1920(H) × 1080(V)
Electronic Shutter	1/5s to 1/50,000s
Mini. Illumination	Color:0.1Lux / F1.2 ; B/W:0.01Lux/F1.2 ; 0Lux / F1.2 (IR on)
Signal Noise Ratio	>50dB
Day/Night Mode	Auto, dual IR-Cut filter
Gain Control	Auto / Manual
White Balance	Auto / Manual
WDR Dynamic Range	DWDR
Lens	2.8mm~12mm / F1.4Manual lens
Max IR Distance	30m, 30pcs 5 IR lights

Securicorp Systems UK Ltd, All Rights Reserved. This document is for planning purposes only and is not intended to modify or supplement any specifications or warranties relating to product. Securicorp Systems UK Ltd may make changes to specifications and descriptions without notice.



Video	
Video Compression	H.264 / MJPEG Optional
H.264 Encode Type	H.264 Baseline / H.264 Main Profile / H.264 High Profile Optional
Video Bit Rate	Main Stream : 200Kbps~12Mbps Sub Stream : 100Kbps~6Mbps
Image Resolution	1080P (1920 × 1080) / 720P (1280 × 720) / D1 (704 × 576 / 704 × 480)
Video Format	PAL / NTSC
Audio	
Audio Compression	G.711a / G.711u / RAW_PCM Optional
Audio Bit Rate	G.711a (8kbps) / G.711u (8kbps)/
Audio Input	1-channel 3.5mm audio interface MIC IN / Line IN
Audio Output	1-channel 3.5mm audio interface (line level, 600Ω)
Network	
Ethernet	RJ-45 (10 / 100Base-T)
Network Protocol	Ipv4 / Ipv6 、 RTSP 、 TCP/UDP 、 HTTP 、 DHCP 、 DNS 、 FTP 、 DDNS 、 PPPoE 、 SMTP
Security	User Access Log, Password Protection, HTTPS Encryption, RTSP Authentication, IEEE 802.1x
Common Features	One button Reset, Prevent Flicker, Dual-stream, Heartbeat, Password Protect, Video cover, Motion Alarm
ONVIF	ONVIF Ver.2.4
Remote Operation	Monitor, System setting, Log information, Maintenance & Upgrade
Auxiliary Interface	
Reset Input	One Reset Button (Hold on 3 seconds at least)
RS485	PTZ Control
Memory Slot	Micro SD Card, Max 32GB
Alarm Input	1-channel input, Normally Open / Normally Close modes adjustable
Alarm Output	1-channel output, 120VAC 1A / 24VDC 1A
Video Output	1Vp-p Composite Output (75Ω/BNC)
Environmental	
Power Supply	DC12V
Power Consumption	<10W
Working Environment	-40 C ~ +60 C, Humidity less than 95% (Non-condensing)
Dimensions(mm)	148mm × 148mm × 121.5mm
Weight(kg)	0.77Kg
PoE	IEEE802.3af
IP Grade	IP66 only with External metal bracket

Securicorp Systems UK Ltd, All Rights Reserved. This document is for planning purposes only and is not intended to modify or supplement any specifications or warranties relating to product. Securicorp Systems UK Ltd may make changes to specifications and descriptions without notice.