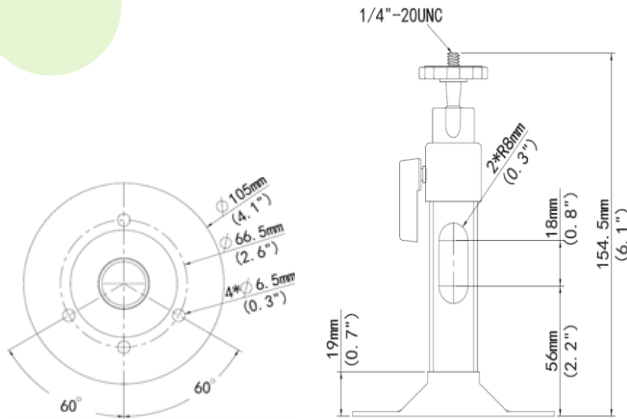


## Pendent Mount, Box Camera Bracket

### Dimensions



## Technical Specification

Model	SL-FBRR-PM02
Product Name	Pendent Mount, Box Camera Bracket
Bracket	
Application	Pendant or Wall Installation for Box Camera
Dimensions	Φ105mmx154.5mm (Φ4.1" x6.1")
Weight	0.2kg (0.44lb)
Bearable Load	5kg (11lb)
Material	Aluminum Alloy
Adjustable Range	Horizontal:0°~360°; Vertical:0°~90°