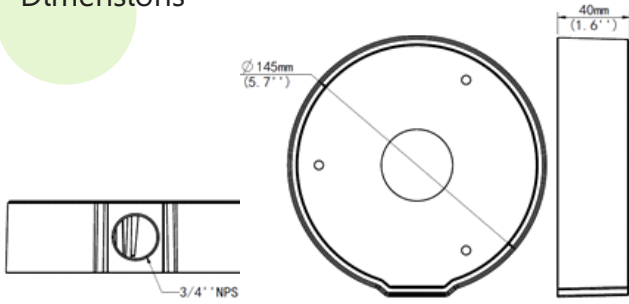


4-Inch, Junction Box, Fixed Dome Bracket

Dimensions



Technical Specification

Model	SL-DMBR-JN02V
Product Name	4-Inch, Junction Box, Fixed Dome Bracket
Bracket	
Application	Wall Installation for Varifocal Fixed Dome
Dimensions	Φ145mmx40mm (5.7" x1.6")
Weight	0.24kg (0.5lb)
Material	Aluminum Alloy