

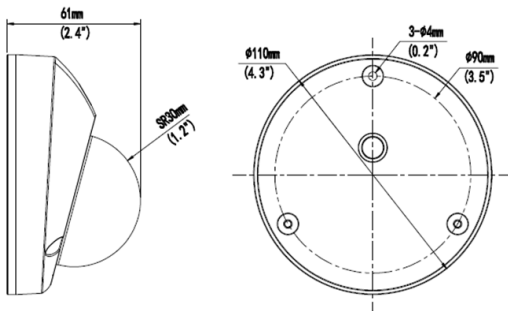
## 2.0 Megapixel Vandal-Resistant, Fixed, IR Mini Dome Network Camera

### Key Features

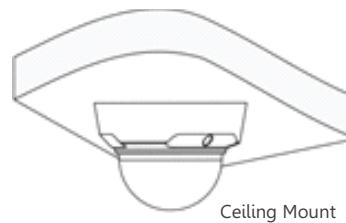
- ❖ Day/Night Functionality
- ❖ Smart IR, up to 15 m (49 ft) IR distance
- ❖ 3D DNR (Digital Noise Reduction)
- ❖ Triple streams
- ❖ ROI (Region of Interest)
- ❖ Customized OSD
- ❖ ONVIF Conformance
- ❖ Wide temperature range: -35°C to 60°C (-31°F to 140°F)
- ❖ Wide voltage range of ±25%
- ❖ IK10 vandal resistant
- ❖ IP66



### Dimensions



### Installation



### Technical Specification

|                   |  |
|-------------------|--|
| Model             | SCL-MDM02FFIR-PV21D  |
| Product Name      | 2.0 Megapixel Vandal-Resistant, Fixed, IR Mini Dome Network Camera |
| Camera            |  |
| Sensor            | 1/2.8", 2.0 Megapixel, Progressive Scan CMOS                       |
| Shutter           | Auto/Manual, 1/6~1/8000 s  |
| Lens              | 2.8mm  |
| Angle of View (H) | 115°   |
| Day/Night         | IR-cut filter with auto switch (ICR)                               |
| Min. Illumination | Colour: 0.02 Lux (F2.0, AGC ON)<br>0 Lux with IR                   |
| S/N               | ≥52dB  |

|                           |  |
|---------------------------|--|
| <b>Video</b>              |  |
| Max. Resolution           | 1920 × 1080  |
| Video Compression         | H.264, MJPEG   |
| Frame Rate                | 1080P (1920*1080): Max. 30 fps; 720P (1280*720): Max. 30 fps; D1 (720*576): Max. 25 fps  |
| 9:16 Corridor Mode        | Supported  |
| ROI                       | Supported  |
| Video Streaming Available | Triple   |
| OSD                       | Up to 8 OSDs   |
| Privacy Mask              | Up to 4 areas  |
| <b>Storage</b>            |  |
| Edge Storage              | Micro SD, Up to 128 GB   |
| <b>Network</b>            |  |
| Protocols                 | L2TP, IPv4, IGMP, ICMP, ARP, TCP, UDP, DHCP, PPPoE, RTP, RTSP, DNS, DDNS, NTP, FTP, UPnP, HTTP, HTTPS, SMTP, SNMP, SIP, QoS                  |
| Security                  | User Access Log, Password Protection, HTTPS Encryption, RTSP Authentication, ARP Binding, IP Address Filtering, Video Watermark, IEEE 802.1x |
| Compatible Integration    | ONVIF, API   |
| <b>Interface</b>          |  |
| Audio I/O                 | Audio Cable<br>Input: impedance 35 KΩ; amplitude 2 V [p-p]<br>Output: impedance 600 Ω; amplitude 2 V [p-p]                                   |
| Built-in Mic              | Supported  |
| Network                   | 10M/100M Base-TX Ethernet  |
| <b>General</b>            |  |
| Power                     | 12 V DC ± 25%, PoE (IEEE 802.3af)<br>Power consumption: 3.5W (5.5W with IR on)   |
| Dimensions (Ø x H)        | Φ110 x 61 mm (Ø4.3" x 2.4" )   |
| Weight                    | 0.25 kg (0.55 lb)  |
| Working Environment       | -35° C ~ +60° C (-31° F ~ 140° F), Humidity ≤ 90% RH(non-condensing)   |
| Vandal Resistant          | IK10   |
| Ingress Protection        | IP66   |